



Versatile Frame



Quick Battery Removal



Quick Tank Removal



Waterproof & Dustproof




Replacable Nozzle

# G Series Versatile Drone

With outstanding flight stability, high performance, and powerful spraying capabilities, the G series agriculture sprayer drone is the go-to machine for the future of farming, bringing convenience and technology to the agriculture industry. Take your productivity to the next level without compromises for all kinds of agricultural products, from fruit trees to grains crops with the G series drone.

 <https://alphaswift.com>

 [hello@alphaswift.com](mailto:hello@alphaswift.com)

 +603 8311 9385

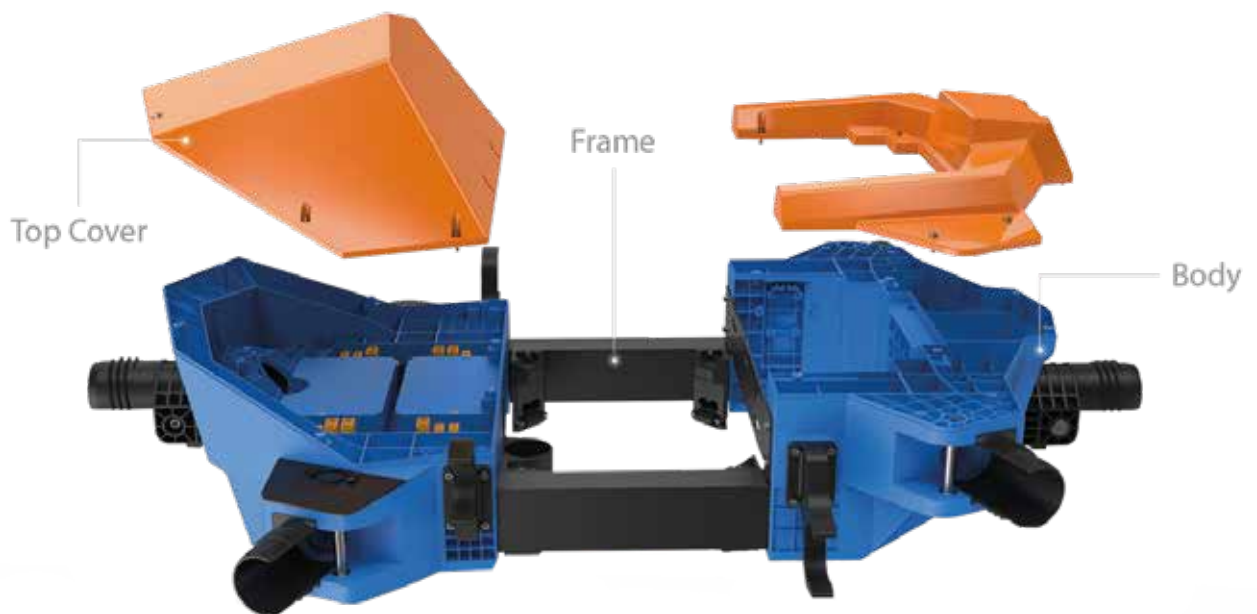


## Water and Dust Resistant

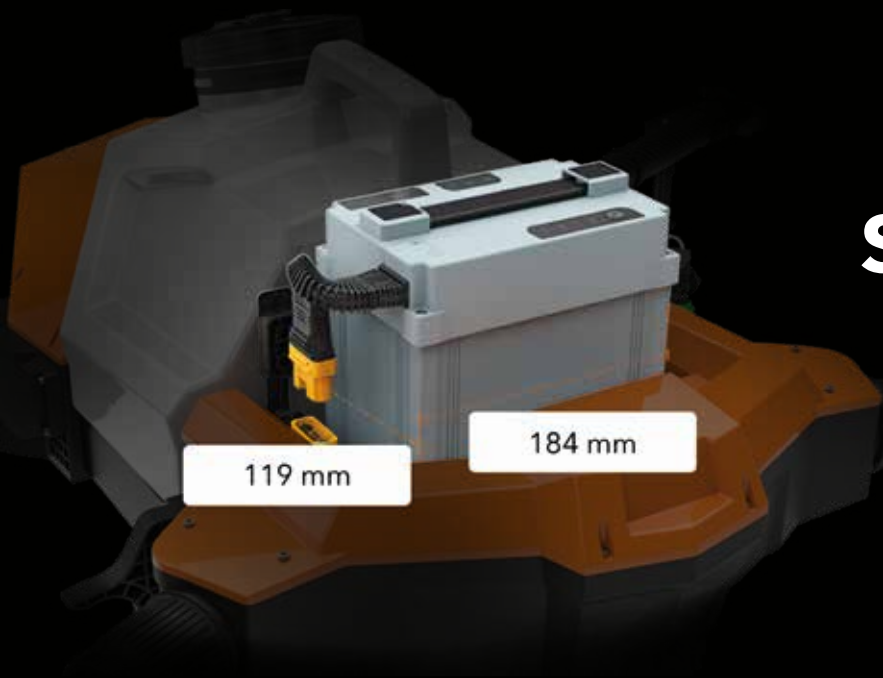
The G Series is built tough. Water and dust resistance is the entry requirement to be operating in the tough environments of the agricultural sector. All the core components are shielded, and you can wash the whole aircraft with a water spray after operation.

# Heavy-duty chassis

The payload is supported by two parallel aerospace grade aluminum frames, capable of withstanding loads more than 30 kg. Electronic components such as the flight controller, battery and power modules are housed in the durable, injection molded plastic body. This combination provides a high strength, streamlined and reliable chassis for the G Series.



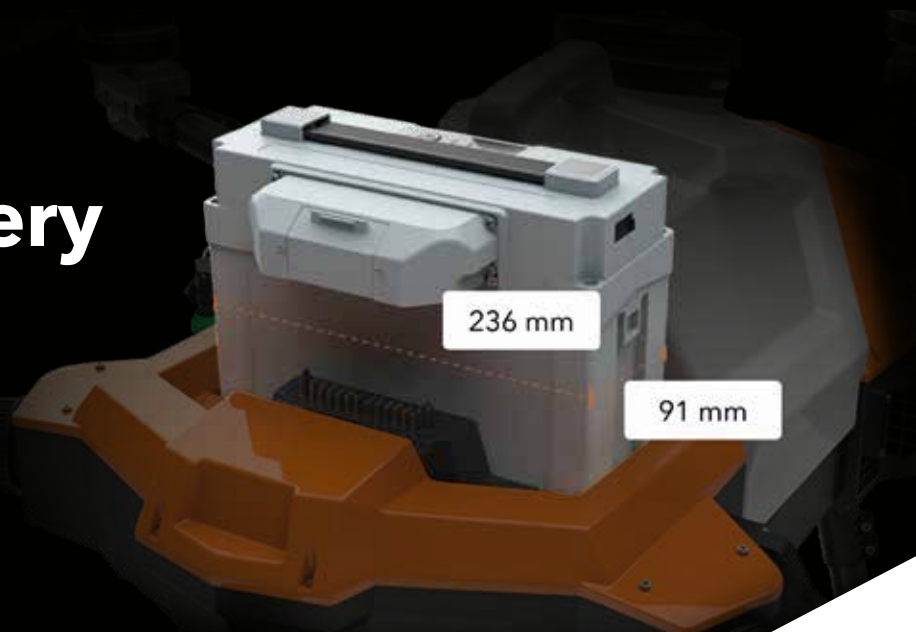
## Smart 2.0 Battery



## Easy Battery Management

The G Series drone is powered by the branded Tattu line of batteries. By placing the location of the battery at the top of the drone, it is now very easy and convenient to replace the batteries without any Velcro. Quick attach detach Molex connectors are also available for Tattu 3.0 batteries.

## Smart 3.0 Battery



# Space Saving Foldable Design

Transporting and unpacking the drone is one big part of the operation. The G Series is designed to fold and unfold in a few quick movements, further increasing your work efficiency and reducing downtime. Significant space saving is achieved with the G Series drone folded to less than half the fully deployed size, allowing you to easily deliver and store the drone.

## 1 Chassis, 2 Models



The unique design of the G Series allows the same chassis to be fitted with different configurations. By combining the number of motors (the first digit) and the capacity of the tank (the second and third digit), you get a perfect configuration that works just for you.

### G620



6 motors  
20 litre of capacity  
2018 mm of wheelbase  
34 inch propeller

### G630



6 motors  
30 litre of capacity  
2018 mm of wheelbase  
36 inch propeller



## High Performance Sprayer

With a brushless motor pump rated at a flow rate of 8 L/min, the G Series is capable of running the crop spraying operation very quickly. Coupled with 8 high pressure nozzles right under the propellers, the water droplets can penetrate the crops, giving them a good and consistent coverage across the field. The 6 meters swath gets you more work done with less flights. The G Series can also be installed with the granule spreader system, with its interchangeable spraying system.

## Advanced Radar Sensors



Water and dust resistant radar sensors are mounted at the bottom of the G Series drone, allowing the flight controller to sense and avoid obstacles with ease. Autonomous operation across all kinds of terrain is now possible and safe.



## Real-time Video Feed

A first-person view camera with two LED front lights provides a real-time view of the flight, no matter day or night. Increase operational confidence and safety by obtaining live feed from the drone at all times.



## Autonomous Flight Operation

Precise localization and positioning IMU sensors and GPS, combined with the robust navigation algorithms allow the G Series drone to operate autonomously, following the mission waypoints preset on map before the flight. Work on all types of fields, with the blanket spraying and precision target spraying modes for different types of crops.





## Smartphone and Remote Control

Fly the G Series with the smooth and intuitive user interface installed in your Android smartphone, paired with the high-performance remote control. Stream live camera feed from the drone to your smartphone and plan autonomous crop spraying missions before you fly. Flick a switch to change from autonomous mode to manual mode. The G Series drone is at your fingertips.

# Specifications

## G620 / G630

### Design

#### Number of motors

6 / 6

#### Tank capacity

20 / 30 L

#### Foldable structure

Yes

#### Foldable propellers

Yes

#### Battery placement

From top

#### Tank placement

From top

#### Battery type

Slow charge battery

Fast charge battery

### Structure

#### Diagonal wheelbase

1770 mm

#### Waterproof and Dustproof

IP65

#### Slow charge battery weight

6 / 9.3 kg

#### Fast charge battery weight

6.3/ 9.5 kg

#### Frame weight

8.1 / 8.4 kg

#### Payload weight

20 / 30 kg

#### Motors & avionics weight

9.11 / 11.35 kg

#### Takeoff weight (Slow charge)

43.21 / 59.05 kg

#### Takeoff weight (Fast charge)

43.51 / 59.25 kg

### Propulsion

#### Motor

Hobbywing

X9 / X9 PLUS

#### Propeller size

34 / 36 inch

#### Thrust to max weight

2.69 / 2.79

#### Max power

32 / 42.7 HP

#### Hover power

7 / 8.8 HP

### Spraying system

#### Nozzle quantity

8

#### Upgradable to centrifugal system

Yes

#### Swath (spray width)

5 m

#### Pump max flowrate

8 L/min

#### Flowmeter

Yes

### Performance

#### Hover time with 20 L

8.44 / 9.23 min

(slow charge)

8.33 / 8.19 min

(fast charge)

#### Recommended speed

5 m/s

#### Max speed

10 m/s

#### Wind resistance

Scale 5 (8 m/s)

#### Max altitude

2500 m

#### Hectarage per tank

1 / 1.5 Ha

for 20L/Ha requirement

#### Work time

6.7 / 8.3 min

finish spraying 20 / 30 L

#### Spray flow rate

3 / 4 L/min

### Sensors and accessories

#### GPS tolerance

±1 m

#### FPV camera

Live feed

#### Spotlight

Yes

#### LED status lights

Yes

#### Attitude sensor

Inertial measurement unit

#### Heading sensor

Compass

#### Obstacle avoidance radar

Front, back and downward



## Service

Maintenance, repair and overhaul provided  
Spare parts are in stock



## Address

07-2A, Kenwingston Business Centre,  
Persiaran Bestari Cyber 9,  
63000 Cyberjaya, Selangor, Malaysia.



## Contact Number

+603 8311 9385



## Email Address

hello@alphaswift.com



Scan here to get further details